

Table of contents

Foreword.....	1
Safety Instructions	2-6
Appropriate use.....	7
Operating instructions	7
Technical data	7
Device description	8
Assembly.....	9-10
Installation Instructions	10
Before commissioning.....	11
Commissioning	11-13
Hose drainage	13-14
Recommendations for drying with the Comedes ITR 70.....	14-16
Maintenance	17-19
Frequently asked questions.....	19-20

EN

Dear customer,

Thank you for choosing the ITR 70 from Comedes GmbH.

You have purchased a powerful and reliable dehumidifier. To ensure that the device will be a faithful servant for a long period of time, we ask you to study the operating instructions, especially the safety instructions, thoroughly.

If you still have questions about the device after reading the operating instructions, please do not hesitate to contact us:

E-mail address: service@comedes.com

If you provide your phone number, we will call you back free of charge.

We welcome any feedback from customers and would be pleased if you contact us.

With kind regards



Philip Thannhuber
Managing Director

Comedes Ltd

WARNING:

Please read the instructions carefully before commissioning. Failure to comply with the safety instructions and instructions may result in electric shock, fire and/or serious injury. Keep all safety instructions and instructions for future reference.

Heads up! Do not open the unit until the mains plug is removed from the mains socket.

Danger to life through electric shock! Have repairs carried out only by an authorised specialist workshop.



Only install the device in rooms with a surface area of more than 20m².
Do not install the appliance in a place where flammable gas can escape.

The environmentally friendly R290 is used as refrigerant. R290 has no harmful effect on the ozone layer (ODP), a negligible greenhouse effect (GWP) and is available worldwide. Due to its efficient energy properties, R290 is an excellent coolant for this application. Due to the high flammability of the coolant, special precautions must be taken.

Symbols

caution, risk of fire

Danger from flammable gas

This symbol draws your attention to dangers to health and life caused by extremely flammable gas.

**Observe operating instructions**

This symbol draws your attention to the fact that the operating instructions must be followed before installing and operating the device.

**Observe operating instructions and operating notes**

This symbol draws your attention to the fact that the operating instructions and the operating notes contained therein must be taken into account and observed.

**Repair instructions, observe technical manual**

Activities on the refrigeration circuit, such as disposal, repairs and maintenance activities, may only be carried out by persons with a relevant certificate of competence and only in accordance with the manufacturer's specifications. Repair instructions as well as maintenance and disposal information can be obtained from the manufacturer on request.

**Danger**

There is danger for the device or objects in the vicinity of the device.

**Electrical hazard**

shock hazard

Safety Instructions

Do not use any agents other than those recommended by the manufacturer to speed up the defrosting process or to clean the dehumidifier.



The appliance must be stored in a room without constantly operating ignition sources (e.g. naked flames, a gas appliance switched on or an electric heater switched on).



Do not puncture or burn the device, even after use.



Use the on/off switch to switch the unit on and off.

Never use the plug to switch the appliance on and off.



The device may only be installed, operated and stored in a room with a floor space of more than 20m².



Maintenance may only be carried out in accordance with the manufacturer's instructions.

The unit must be stored in a well-ventilated area where the room size corresponds to the room size specified for operation.



All work processes that affect safety-relevant aspects (e.g. repairs) may only be carried out by qualified personnel.



Do not immerse the unit in water or other liquids.

If the power cord is damaged, it must be replaced by the manufacturer, its service



partner or similarly qualified persons to avoid any risk of danger.

EN

Please contact a professional to have the product repaired. Improper repairs can lead to injuries to the user.

Disconnect the appliance from the power supply before moving, cleaning or servicing it and also when it is not in use or in case of malfunction. Never pull the power cord.

Observe the national installation regulations and only connect the device to a correctly installed **grounded contact socket** with a mains voltage/frequency as specified on the type plate.

Do not place or place any objects on the dehumidifier. Do not climb or sit on the device.

Do not unplug the device by pulling on the power cord. Always grasp the mains plug for this purpose.

Do not tilt or fall the device. As the water that escapes through this can damage the device.

This appliance may be used by children aged 8 years and older and by persons with reduced physical, sensory or mental capabilities or lack of experience and knowledge, provided they have been supervised and/or instructed in the safe use of the

appliance and understand the hazards involved. Do not allow children to play with the device. Cleaning and maintenance must not be carried out by children without supervision.

Do not place the unit directly against a wall or under a wall cabinet or similar. The unit requires a clearance of at least 50 cm at the top and on all sides.



The device is only to be used in the temperature range between 5°C and 35°C.

Do not use the device in a wet area. The device is not protected against splash water.

Position the device on a flat, stable, non-slip, hard and dry surface. This is to prevent increased noise, vibration, water leakage or electric shock.



Never insert your fingers or other objects into the device. This can lead to damage to the device.

Do not touch the air inlet or the aluminium fins of the unit.

Unplug the device after switching it off or if you do not intend to use it for a long period of time.

The working area of the device must be at least 20m².



It must be ensured that there are no flammable materials in the working area of the

device.

Do not clean the dehumidifier with water or chemicals.



Prevent water from getting on/on the appliance.

EN

Do not spray the unit with flammable liquids or cleaning agents.

Do not touch the ventilation slots.

Keep the air inlet and outlet free of obstacles.

Keep all necessary ventilation openings free of obstacles.

Do not use the device if the power cord is damaged.

Do not use the device in hermetically sealed rooms.



Keep the water tank free of foreign objects.

Install the unit away from heaters or heat generating devices.

The device must not be used in environments with high dust or chlorine content.

Only use the device if your power outlet is equipped with an RCD (FI) circuit breaker.



Do not operate/touch the device with wet hands.

Do not attempt to carry out repairs or other adjustments to the device yourself.

Do not let children play with the packaging, such as plastic foil.

Make sure that the dehumidifier is positioned far away from fire, flammable, corrosive and explosive materials.

Insert the power plug firmly and securely into the power outlet.

Do not operate the dehumidifier via a multiple socket, plug adapter or extension cord.

Do not operate the appliance if it has been dropped or damaged, or if it shows signs of malfunction.

Do not operate the unit in the immediate vicinity of walls, curtains or other objects that may block the air inlet and outlet.

If the unit has been tilted more than 45°, leave it upright for at least 24 hours before use.

Do not operate or store the device in direct sunlight or rain.

Never place the power cord or the device on hot surfaces or near heat sources. Route the power cord so that it does not come into contact with hot or sharp objects.



Do not bend the power cord or wrap it around the appliance as this may cause the cord to break.



Please note that in addition to switching off the device, you must also pull the mains plug out of the protective contact socket to disconnect the device completely from the mains.

Do not use naked flames, cigarettes or other possible



caution, risk of fire

ignition sources inside or near the equipment.

Transport, storage and disposal

When transporting equipment and parts that contain flammable refrigerants, the transport regulations must be observed.

The disposal of appliances containing flammable refrigerants must be carried out in accordance with national regulations.

The maximum number of units that may be stored together is determined by local regulations

The device must be stored in such a way that no mechanical damage can occur.

Empty the water tank before moving the appliance to avoid water leakage.

Notes on the refrigerant R290

The unit is only designed for use with R-290(propane) gas as refrigerant.

The refrigerant circuit is sealed. Maintenance work in this regard may only be carried out by a qualified technician. The maintenance manual must be requested from the manufacturer by the technician.

Do not release the refrigerant into the atmosphere.

R290 (propane) is extremely flammable and heavier than air. It first collects in low areas, but can be circulated by fans.

If propane gas is present, or suspected to be present, do not allow untrained persons to search for the cause.

The propane gas used in this unit is odourless. Therefore, gas may have escaped even without any perceptible smell.

The components used are designed for propane gas and are therefore non-ignitable and non-sparking.



Components may only be replaced by identical spare parts approved by the manufacturer.

Note that the refrigerant is odourless.

Compliance with national gas regulations must be observed.

EN

Failure to comply with the safety instructions can lead to explosion, death, injury and material damage.

 Attention	Any person carrying out work on the refrigerant circuit shall hold a current valid certificate of competence issued by an assessment body accredited by the industry which demonstrates their competence to safely handle refrigerant in accordance with a procedure recognised by the industry.
 Attention	Maintenance may only be carried out in accordance with the manufacturer's instructions. During maintenance and repairs requiring the assistance of other specialists, the person trained in handling flammable gases must constantly monitor the work.

If you do not understand something or need help, please contact the manufacturer. You will find the contact details at the end of this manual.

Appropriate use

The dehumidifier is only intended for dehumidifying privately used rooms (e.g. living rooms, bedrooms, storage rooms or cellars). The user must comply with the specified operating parameters of this manual.

The machine may only be used for its intended purpose. Any other use beyond this is not intended. The user/operator and not the manufacturer is liable for any damage or injury of any kind resulting from this.

EN

Operating instructions

The device is designed for a temperature range between 5 and 35°C. Below 5°C the air humidity tends to be very low, so you do not need to use a dehumidifier. Above 35°C, the overheating protection may automatically switch off the unit. The device is not approved for operation outside the temperature range.

The dehumidifier warms the air so that it can dehumidify optimally. Therefore the room temperature can rise by 1-2 degrees. This is quite normal and increases the efficiency of the device.

When the water tank is full, the appliance switches off automatically.

Leave the appliance in its final, upright position for at least 24 hours before starting it up for the first time.

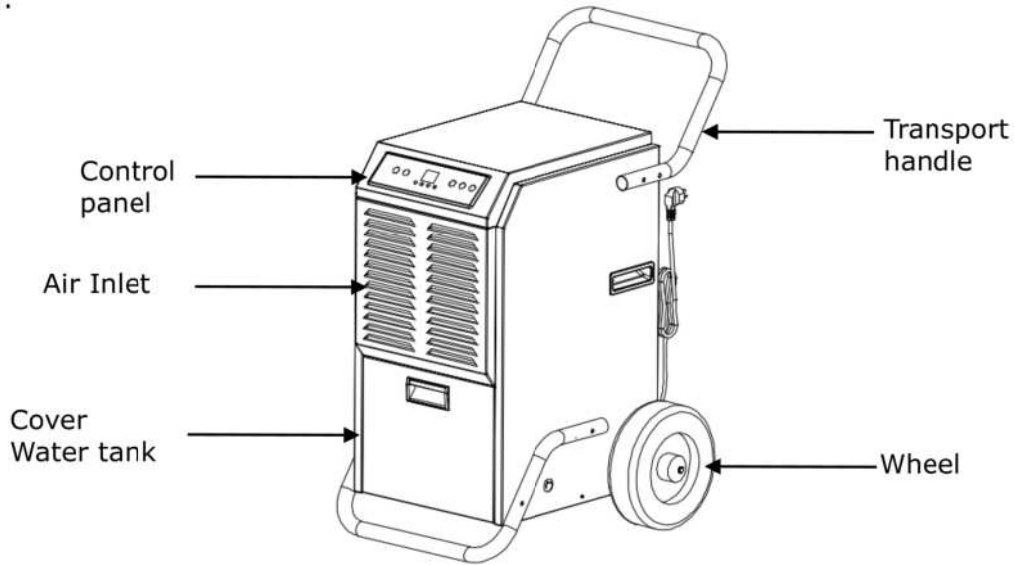
Always operate the appliance in an upright position and do not tilt it during operation.

Technical data

Product name:	Comedes ITR 70
Voltage:	AC220~240V/50 Hz
Nominal power:	923W (30°C 80% humidity)
Power consumption:	4.0 A (30°C 80% humidity)
Dehumidification capacity:	70 l/ day (30°C 80% humidity)
Weight:	40 kg
Permissible operating temperature:	5-35°C
Coolant / quantity:	R290/280g
Water tank size:	5,5 l
Noise level:	≤ 52 dB(A)
Dimensions:	477x616x840 mm
Max. suction/pressure side	
Operating pressure:	0.7MPa/3.2MPa
Max. permissible pressure on the	
High/low pressure side:	3.2MPa
Max. permissible pressure heat exchanger:	3,2MPa

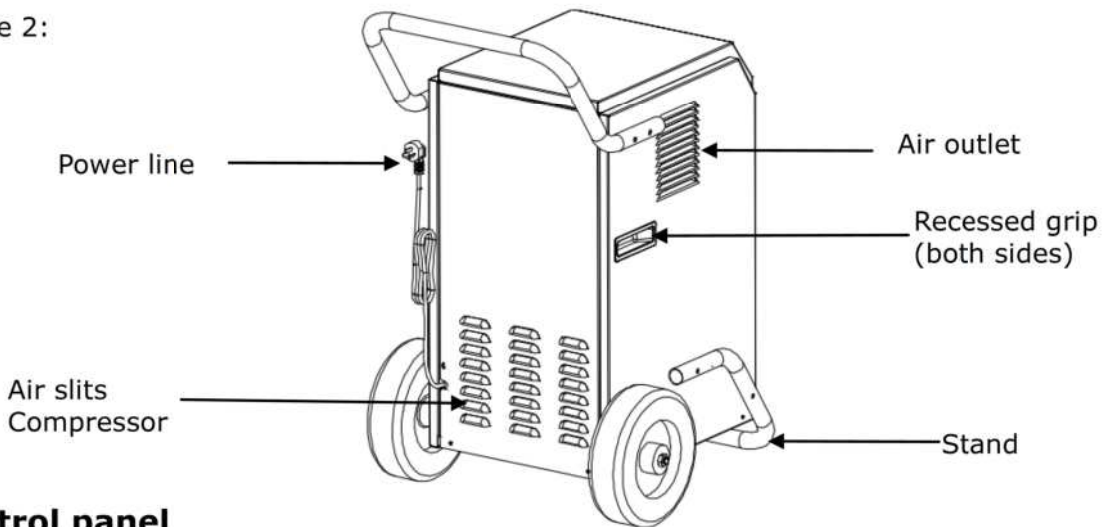
Device description

Figure 1:



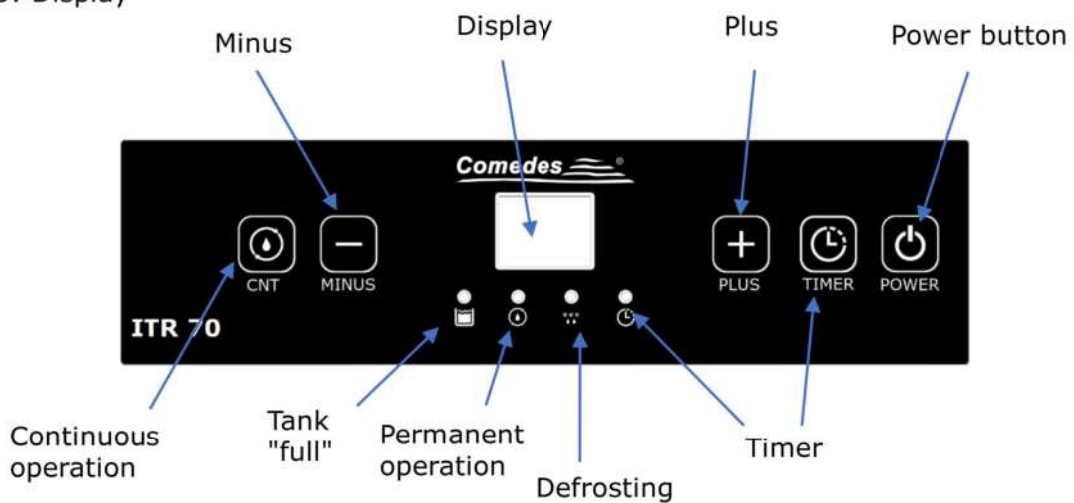
EN

Figure 2:



Control panel

Figure 3: Display

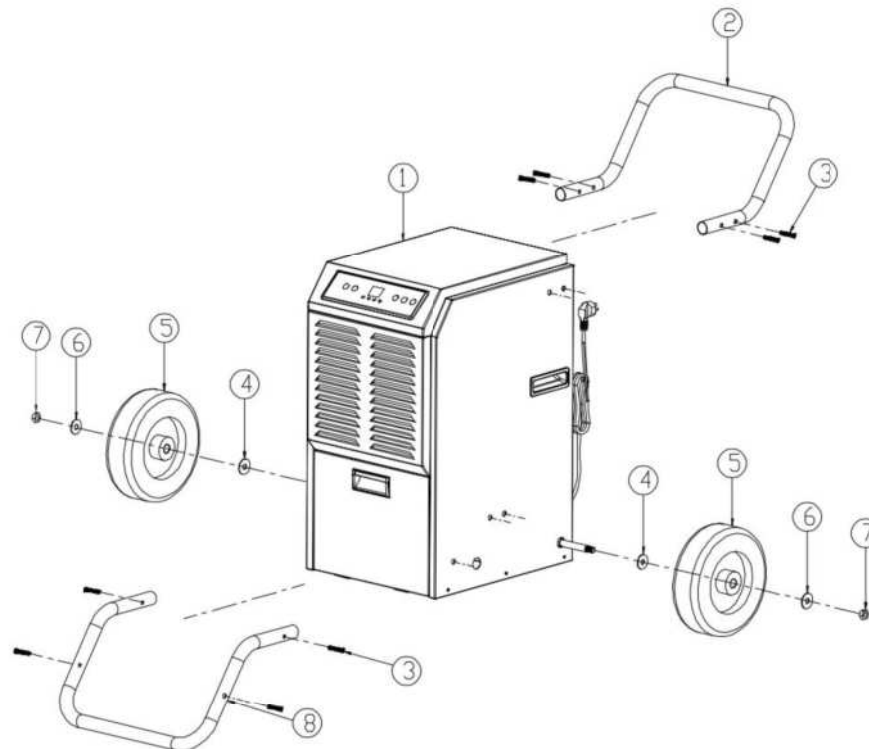


Display:

The display shows the prevailing room air humidity. While setting the timer and target humidity, the selected values are displayed. When the setting is completed, the current room air humidity is displayed again.

Assembly

Figure 4:



EN

Accessories included in delivery

- | | |
|-------------------------|--------------------|
| 1 Air dehumidifier | 2 Transport handle |
| 3 Stainless steel screw | 4 Spacer washer |
| 5 Wheel | 6 Spacer washer |
| 7 Screw nut | 8 Pedestal |

For the assembly is required:

- Wrench M6
- Screwdriver
- Soft underlay (blanket, sleeping mat, towel or similar)

Assembly steps for the ITR 70:



Attention

Please note that the device is heavy. To avoid injuries or damage to the device and objects in the vicinity, the installation should be carried out by 2 persons.

A) Preparation

- a. Remove the dehumidifier from the packaging and check it for damage
- b. Check the accessories (mounting set) for completeness.
- c. Prepare the tools required for the assembly.

B) Mounting (See Figure 4)

- a. Carefully place the device on its front side. Lay a soft surface (blanket, mattress, towel, etc.) underneath to avoid damage such as scratches.
- b. Assemble the transport handle using the 4 stainless steel screws, as shown in Figure 4.
- c. Mount the two wheels as shown in Figure 4.
- d. Now carefully place the device on its back. Lay a soft surface (blanket, mattress, towel, etc.) underneath to avoid damage such as scratches.
- e. Mount the stand as shown in Figure 4.
- f. Return the dehumidifier to an upright position.

Leave the appliance in its final, upright position for at least 24 hours before starting it up for the first time.

Always operate the appliance in an upright position and do not tilt it during operation.

EN

Installation Instructions



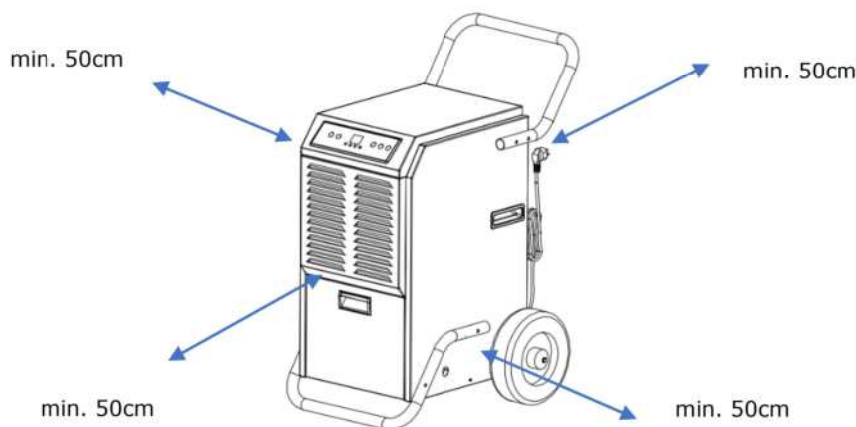
Operate the device only in rooms with at least 20m² floor space

- Remove all adhesive tapes that were used for transport securing.
- Check that the device is standing securely on firm, level and dry ground.
- Never install the unit where it may be exposed to the following conditions:
 - Heat sources, such as radiators, heat registers, stoves or other products that generate heat
 - In an area where oil or water can be splashed.
 - Direct solar radiation
 - Mechanical vibrations or shocks
 - Excessive dust exposure
 - Lack of ventilation, e.g. in a cupboard or bookshelf
 - Uneven surface

- Make sure that the power outlet is equipped with an RCD (ground fault circuit interrupter).
If you are not sure whether this is the case, you can ask your electrician or use a personal protection plug (available at a hardware store).



- To save power and avoid potential hazards, disconnect the unit when not in use.
- Keep at least 50cm distance around the device to walls and objects. Make sure that the air outlet is free and that there are no curtains or textiles above it.



Before commissioning

After unpacking the device, check it for completeness and possible transport damage to avoid any hazards. In case of doubt, do not use it, but contact our customer service. The service address can be found at the end of this manual.

EN

Your device is in a package to protect it from transport damage.

- Carefully remove the device from its sales packaging.
- Remove all packing parts.
- Clean the unit and all accessories from packaging dust residue, as described in the chapter "Maintenance".

Commissioning

Before connecting the power plug, check the device and especially the cable for damage. The device may only be operated with a faultless mains cable.

Connect the power cord and switch on the unit with the on/off switch.

WARNING: Always allow the appliance to run for at least 35 minutes before switching it off and never switch it off and on continuously. There would be a risk of compressor damage.

Leave the Comedes ITR 70 to stand for at least 3 minutes after switching off, without moving the appliance, so that the water in the drip tray can drain completely.

The higher the humidity in a room and the higher the temperature in it, the better the Comedes ITR 70 can dehumidify the air. Therefore, the compressor will generate heat and thus heat the room air. This is quite normal and need not worry you.

Note: Before using the device for the first time, we recommend that you operate it for 5-10 minutes with the window open to remove any production-related residues. Any smell that may occur is normal and disappears after a short time. This is not a malfunction of the device. Ensure adequate ventilation.



On / Off switch:

Press the On / Off switch to switch on the appliance; the dehumidifier starts in continuous operation and the current indoor humidity is shown on the display.

Press the On / Off switch again to turn the unit off. The compressor switches off immediately, the fan switches off with a 1 minute delay.

In standby, "- -" is shown on the display.



Automatic operation

The device is equipped with a modern hygrostat (humidity controller) and switches off automatically when the desired humidity is reached. The compressor switches off first and then the fan 60 seconds later. If the humidity in the room rises again, the Comedes ITR 70 switches on again automatically.

In automatic mode, values from 20% to 90% can be set.

The basic setting in automatic mode is a target humidity of 50%.

If the "CNT" LED **does not** light up, the unit is in automatic mode and the desired target humidity can be set in 5% steps by repeatedly pressing the plus or minus key.

The switching hysteresis is 3%RH.



Continuous operation

To operate the unit in continuous operation (CNT), press the "CNT" key.

If the device works in continuous operation, the corresponding "CNT" LED is lit.

To switch from continuous operation back to automatic mode, press the "CNT" key. The "CNT" LED goes out.

During operation, the current humidity is shown on the display.

In continuous operation, the appliance dehumidifies until the water tank is full, or the appliance is switched off manually or a set running time has elapsed.

EN



Timer:

Press the timer button to start the timer function. You can set a time of 1-24 hours by repeatedly pressing the Plus or Minus key. If the timer is activated, this is indicated by the corresponding LED.

If you activate the timer during operation, the unit switches off after the set time.

If you activate the timer while the unit is in standby mode, the unit will start automatically after the set time has elapsed.

If the timer is active, the "Timer" LED lights up.

To turn off the timer, press the timer button again.

Temperature display

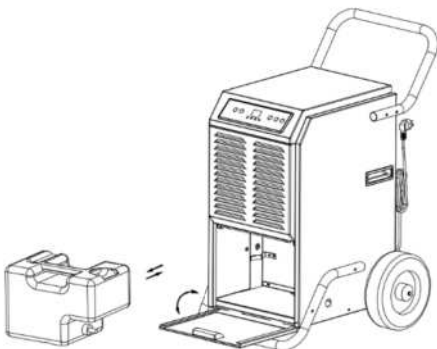
Press and hold the Timer button for at least 3 seconds and the current room temperature is shown on the display. After approx. 10 seconds, the current room humidity is displayed again.

Empty water tank:

When the water tank is full, the Comedes ITR 70 will automatically shut down and the Tank Full indicator (Fig. 3) will light up. This is also signalled acoustically (15x beeps). To stop the alarm, press the power button and turn off the unit.

You must empty the water tank to be able to put the ITR 70 back into operation.

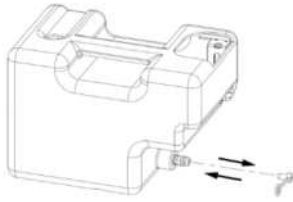
To do this, always switch off the device first and pull the mains plug.



The water tank is located behind a cover on the front of the unit. Open this cover to access the tank.

Now grasp the water tank by the handle on its upper side and pull it horizontally out of the appliance.

Now empty the water tank completely into a sink or similar and put it back into the appliance. Make sure that the tank is correctly inserted to ensure proper operation of the unit.



Make sure that the plug of the water tank closes the connection for the hose securely and firmly.

EN

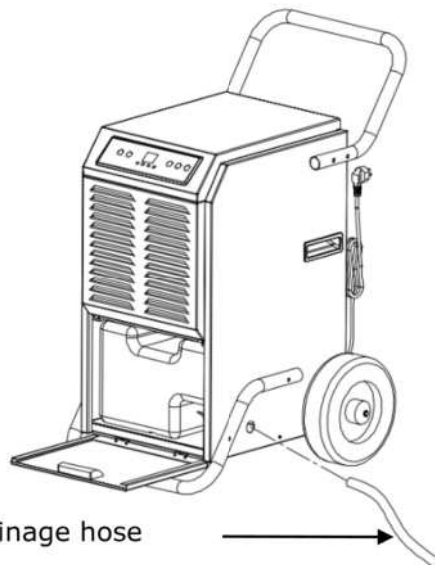
Attention:

- To ensure correct and safe operation of the unit, the float must not be removed from the water tank
- If the water tank is dirty, it should be cleaned. Use cold or warm water without additives. Additives or cleaning utensils such as detergent, steel wool, benzene or other chemical cleaners are not suitable as these can damage the tank and cause leakage.
- To protect the compressor, it has a 3 minute switch-on delay.

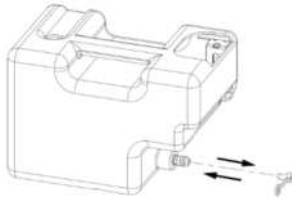
Hose drainage

The Comedes ITR 70 can also be operated with a drainage hose (Ø11.0mm). To do this, remove the water tank and attach a drainage hose.

Proceed as follows:



1. Remove the water tank and empty it completely.
2. Pull the plug from the hose connection of the water tank and insert it back into the appliance.
3. Insert a suitable drainage hose from the outside through the opening provided in the housing.
4. Now attach the hose to the hose connection of the water tank. If necessary, pull the water tank slightly out of the device. Then close the tank cover.
5. Now lay the drainage hose to a suitable drain and make sure that the hose remains in the intended position there.
6. To use the unit in tank operation again, pull off the drainage hose and close the connection for the hose on the water tank securely and firmly with the plug.

**Attention:**

- Make sure that the hose does not run higher than the hose connection on the appliance at any point, so that the water can run off without disturbance.
- Make sure that the drainage hose does not hang in the water.
- Make sure that the drainage hose is not kinked or blocked. Check this regularly.

After each use and before attaching or removing accessories, the appliance must be switched off and disconnected from the mains by removing the mains plug from the socket outlet with earthing contact after switching off. Allow the appliance to cool to room temperature before cleaning and/or storing.

**Automatic defrosting system**

To ensure safe operation of the unit, the dehumidifier switches off automatically at ambient temperatures $<5^{\circ}\text{C}$ and $>38^{\circ}\text{C}$.

The dehumidifier is equipped with a temperature-dependent defrost function.

When the temperature sensor detects a temperature of $\leq -1^{\circ}\text{C}$ (for at least 10 seconds) on the evaporator, the appliance starts defrosting. The compressor switches off and the fan continues to run.

During defrosting the corresponding ("DEFROST") indicator on the control panel is lit.

The defrosting process is active until the temperature measured at the evaporator exceeds 5°C or a defrosting cycle of 15 minutes has been carried out.

Recommendations for drying with the Comedes ITR 70

In order to achieve the best possible dehumidification result with the ITR 70, the energy use, we provide the following information:

Since this manual can only give limited help, we recommend that you find more information at: www.comedes.com.

Basics for dehumidification with the Comedes ITR 70

The dehumidifier works similar to a refrigerator with a refrigerating machine. This creates a cold surface (at the evaporator) where water condenses. Depending on air humidity and ambient temperature, the water condenses at the dew point temperature. For the dehumidifier to dehumidify, the cold surface must be below the dew point temperature. As the water would freeze at negative dew point temperatures, the dehumidifier can only work with positive dew point temperatures. To ensure this, the dehumidifier is equipped with a modern, temperature-controlled automatic defrosting system that keeps the evaporator temperature between 0 and 5°C . To be able to dehumidify sensibly, the dew point temperature should be above 5°C . If the dew point temperature is below this, dehumidification is either not possible at all or only very inefficiently. With the following table you can determine the dew point temperature in your case.

If the dew point temperatures are too low, heating is recommended.

Attention:

Only heat the room with water-bearing heating units such as underfloor heating and permanently installed radiators.

If this is not possible, the room can be preheated with another electric heater. However, the dehumidifier must not be located in this room. The safety and operating instructions in this manual must be followed under all circumstances.



Temp. in °C	30%	35%	40%	45%	50%	55%	60%	65%	70%	75%	80%	85%	90%	95%
30°C	4.6	7.8	10.9	13.9	16.8	18.4	20	21.4	22.7	23.9	25.1	26.2	27.2	28.1
29°C	3.8	7.2	9.7	12	14.5	17.5	19	20.4	21.7	23	24.1	25.2	26.2	27.2
28°C	3	6.1	8.8	11.3	13.1	15	16.6	18.1	19.5	20.8	22	23.2	24.2	25.2
27°C	2.1	5.3	8	10.2	12.2	14.1	15.7	17.2	18.6	19.9	21.1	22.2	23.3	24.3
26°C	1.3	4.8	7.1	9.4	11.4	13.2	14.8	16.3	17.6	18.9	20.1	21.2	22.3	23.3
25°C	0.5	3.6	6.2	8.5	10.5	12.2	13.9	15.3	16.7	18	19.1	20.3	21.3	22.3
24°C	-0.3	2.8	5.4	7.6	9.8	11.3	12.9	14.4	15.8	17	18.2	19.3	20.3	21.3
23°C	-1.1	1.9	4.5	6.7	8.7	10.4	12	13.5	14.8	16.1	17.2	18.3	19.4	20.3
22°C	-2	1.1	3.6	5.9	7.8	9.5	11.1	12.5	13.9	15.1	16.3	17.4	18.4	19.3
21°C	-2.8	0.2	2.8	5	6.9	8.6	10.2	11.6	12.9	14.2	15.3	16.4	17.4	18.3
20°C	-3.6	-0.2	1.9	4.1	6	7.7	9.3	10.7	12	13.2	14.4	15.4	16.4	17.3
19°C	-4.4	-1.4	1	3.2	5.1	6.8	8.3	9.8	11.1	12.3	13.4	14.5	15.5	16.4
18°C	-5.2	-2.2	0.2	2.3	4.2	5.9	7.4	8.8	10.1	11.3	12.5	13.5	14.5	15.4
17°C	-6.1	-3.1	-0.8	1.4	3.3	5	6.5	7.9	9.2	10.4	11.5	12.5	13.5	14.4
16°C	-6.9	-4	-1.4	0.5	2.4	4.1	5.6	7	8.2	9.4	10.5	11.6	12.6	13.5
15°C	-7.7	-4.8	-2.2	-0.3	1.5	3.2	4.7	6.1	7.3	8.5	9.6	10.6	11.6	12.5
14°C	-8.6	-5.7	-2.9	-1	0.6	2.3	3.7	5.1	6.4	7.5	8.6	9.6	10.6	11.5
13°C	-9.4	-6.5	-3.7	-1.6	-0.1	1.3	2.8	4.2	5.5	6.6	7.7	8.7	9.6	10.5
12°C	-10.2	-7.4	-4.8	-2.6	-1	0.4	1.9	3.2	4.5	5.7	6.7	7.7	8.7	9.6
11°C	-11.1	-8.2	-5.7	-3.4	-1.8	-0.4	1	2.3	3.5	4.7	5.8	6.7	7.7	8.6
10°C	-11.9	-9.1	-6	-4.2	-2.6	-1.2	0.1	1.4	2.6	3.7	4.8	5.8	6.7	7.6
9°C	-13.6	-10.8	-8.5	-6.5	-4.8	-3.2	-1.8	-0.5	0.67	1.8	2.83	3.82	4.77	5.66
8°C	-15.2	-12.4	-10.2	-8.3	-6.6	-4.87	-3.27	-2.1	-1.05	-0.08	0.85	1.86	2.72	3.62
4°C	-18.9	-16.2	-12	-10	-8.4	-6.11	-4.88	-3.69	-2.81	-1.79	-0.88	-0.09	0.78	1.64
0°C	-18.8	-15.9	-13.7	-11.8	-10.2	-7.77	-6.56	-5.43	-4.4	-3.16	-2.48	-1.77	-0.88	0.47
8°C	-20.2	-17.6	-15.5	-13.6	-12	-10.5	-9.2	-7.9	-6.8	-5.8	-4.8	-3.9	-3	-1.4

Drying in case of problems with condensation

Condensation moisture usually occurs in cellars when moist air enters the cellar in summer and condenses on the cold cellar walls. We recommend to dehumidify the cellar room by room in continuous operation at first. Let the appliance run continuously at first until you notice that the amount of water you drain from the tank every day becomes less. Now place the device in the next room. Once you have dried all rooms, we recommend selecting a central installation location and operating the unit in automatic mode. This type of dehumidification is more energy-efficient than if you dehumidify immediately in automatic mode, as the appliance then switches off and on very frequently.

Drying in case of construction defects or water damage

In the case of construction defects and water damage, the cause should first be eliminated. The rooms can then be dried with condensation dryers such as the ITR 70. The dehumidifier is operated in continuous operation. The ambient temperature should be at least 20°C (no more than 27°C).

Caution: Only heat the room with water-bearing heating units such as underfloor heating and permanently installed radiators.

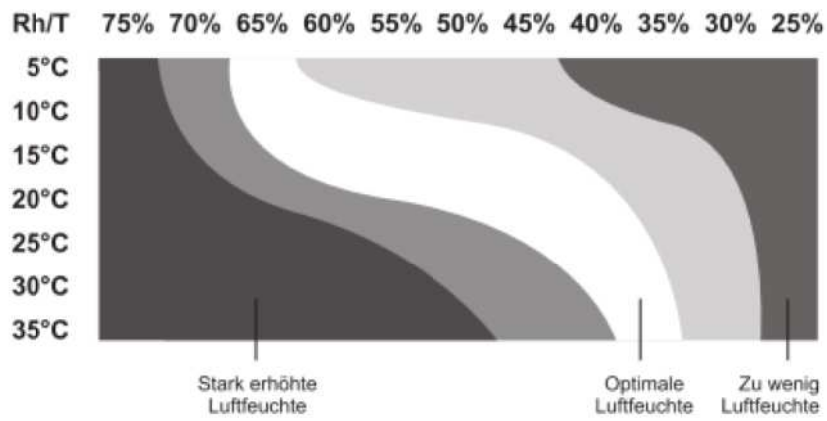
If this is not possible, the room can be preheated with another electric heater. However, the dehumidifier must not be located in this room.

The safety and operating instructions in this manual must be followed under all circumstances. Please note that, depending on the construction defect, drying of the insulation layer may also be necessary can be. This must be carried out by a specialist company.

Recommended air humidity for rooms

Basically this depends on the ambient temperature. The higher the temperature of the room, the lower the relative humidity should be set, otherwise mould growth in the room is favoured. The pleasant air humidity ranges from 35% to 65% relative humidity, depending on the ambient temperature.

The following diagram gives an indication of which humidity is optimal at which ambient temperatures.



EN

The diagram assumes that temperatures $\geq 20^{\circ}\text{C}$ are living rooms and temperatures $\leq 20^{\circ}\text{C}$ are basement rooms.

Maintenance

Always switch off and unplug the appliance before starting cleaning, maintenance or repair work.

A maintenance log must be kept for the operation of the device as follows



Maintenance log for Comedes ITR 70:

Serial number:

Maintenance and service interval	1	2	3	4	5	6	7	8	9	10	11	12	13	14	15
Check air inlet and outlet and remove impurities.															
External cleaning															
Visual inspection of the water outlet (hose connection) for contamination															
Check air filter for dirt and foreign bodies, clean or replace if necessary															
Check device for damage (power cable, housing, tank, fan wheel)															
Check fastening screws															
Trial run															
Empty tank or check hose drainage															
Visual inspection of the sockets used.															
Testing of the RCD (ground fault circuit interrupter).															

1. Date: Signature	2. Date: Signature	3. Date: Signature	4. Date: Signature
5. Date: Signature	6. Date: Signature	7. Date: Signature	8. Date: Signature
9. Date: Signature	10. Date: Signature	11. Date: Signature	12. Date: Signature
13. Date: Signature	14. Date: Signature	15. Date: Signature	16. Date: Signature

Maintenance intervals:

Maintenance and service interval	before each Commissioning	At Demand	At least all 2 weeks	At least all 4 weeks	At least all 6 months	At least annually
Check air inlet and outlet and remove impurities. (Fig 1, Fig 2.)	X			X		
External cleaning		X				X
Visual inspection of the water outlet (hose connection) for contamination		X				X
Check air filter for dirt and foreign bodies, clean or replace if necessary	X		X			
Check device for damage (power cable, housing, tank, fan wheel)	X					
Trial run						X
Empty tank or check hose drainage		X				
Visual inspection of the sockets used.	X					
Testing of the RCD (ground fault circuit interrupter).				X		

Check air inlet and air outlet

The unit sucks in air from the front (Fig. 1) and blows it out from the side (Fig. 2). Make sure that the air inlet and outlet are not blocked and check this each time you use the unit. Make sure that no objects or walls obstruct the air inlet or outlet and observe the distance rules.

Check the drainage hose:

Check the hose used for hose drainage regularly for blockages and damage. If the hose is clogged or damaged, replace it with a new one.

Storage of the dehumidifier

If the dehumidifier is not used for a longer period of time:

- 1) Switch on and disconnect the device.
- 2) Empty the water tank completely and make sure that there is no more water in the appliance.
- 3) Remove and clean the dust filters. Make sure that the filters are completely dry before reinstalling them.
- 4) Bundle the power cable and attach it to the cable holder on the back of the device.
- 5) Store the dehumidifier in a cool dry place. Keep the device away from direct sunlight, high/low temperatures and high dust exposure.

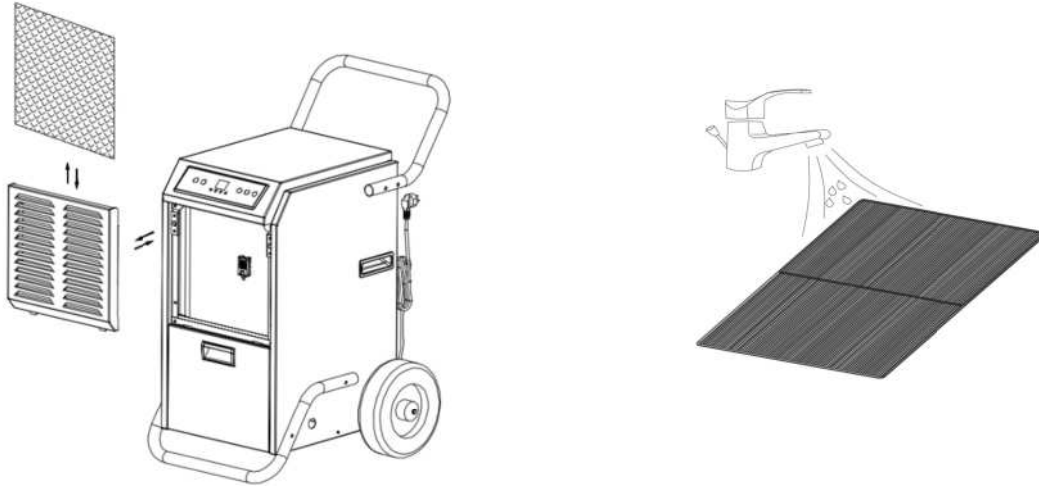
Check air filter:

This should be done every 2 weeks.

To do this, switch off the unit, disconnect the power cable and then remove the front panel. The air filter is located on the inside of the front panel.

Rinse the filter with warm (maximum 40°C) clear water and let it dry. Make sure that the filter is not exposed to high temperatures and do not use cleaning agents or other substances (such as petrol or alcohol). You can then insert it back into the front panel and reattach it to the unit.

EN



Frequently asked questions (FAQ)

Current operating instructions can be found at: www.comedes.com

Device cannot be switched on.

1. is the device correctly plugged in?
2. is the water tank inserted correctly?
3. is the tank full indicator lit up?
4. did the fuse blow?
5. is the room temperature above 35°C or below 5°C?
6. is the timer function activated?
7. if the above points are ok, try again in 10 minutes
8. if the device is still not working, please contact service@comedes.com

The dehumidification capacity is too low.

1. is the dust filter dirty?
2. is the air inlet or outlet blocked?
3. is the temperature or humidity too low?

The unit does not switch off in automatic mode.

1. are the windows and doors closed?
2. does a device produce steam in this room?
3. Is the room too big?

The device is very loud.

1. is the dust filter dirty?
2. is it on firm, level and suitable ground?
3. does the device touch the room wall?
4. in the case of tiled floors, it is recommended to put a piece of carpet underneath.

Display messages:

Code	Cause	Follow	Solution
E1	Temperature sensor defective.	Cycle: 30 minutes dehumidification, 15 minutes defrosting.	Please contact us at: service@comedes.com
E2	Humidity sensor defective	Cycle: 30 minutes dehumidification, 15 minutes defrosting.	Please contact us at: service@comedes.com
CL	Ambient temperature <5°C	Device switches off	Wait until the temperature is back in the permitted working range.
CH	Ambient temperature >38°C	Device switches off	Wait until the temperature is back in the permitted working range.
LO	Ambient air humidity <20	Device switches off	Wait until the humidity has increased.
HI	Room air humidity ≥95%	Device continues to operate normally	

EN**The fuse blows all the time.**

The RCD (FI) circuit breaker trips continuously. Stop operating and contact us at: service@comedes.com

The power cord or plug becomes disproportionately warm.

Stop the operation and contact us at service@comedes.com

There are objects or water in the device.

Stop operating and contact us at: service@comedes.com

Attention: Switch off and disconnect the device immediately and contact customer service if anything unusual happens.



This product must **not** be **disposed of with household waste**. This dehumidifier must be returned to a recycling point for electronic and electrical equipment. You can obtain further information about the relevant collection points from your local or city administration or from Comedes GmbH.